



STC / ST SERIES

THREE/SINGLE-PHASE A.C. SYNCHRONOUS GENERATOR

系列单相、三相交流同步发电机

The STC series generators is to be used in town, countryside, work sites, mountain districts and pasture lands as an electric power source for lighting purpose. It can also be used as a standby power source for emergent case.

The generator is of disproof with rotary field type and adopts harmonic excitation system that will be easy to operate and simple to maintain.

The ST series generators are mainly designed to serve as power source of small capacity which supply electricity for lighting purpose in ships as well as for household electric devices used in towns or villages. The generators are excellent in appearance, consolidate in construction and easy to maintain. Dimensions adopt IEC standard. They are suitable for Australia, Europe, America and other countries if the end covers are mabel B.

The generator adopt harmonic wave self-excitation constant voltage system and automatic voltage control excitation constant voltage system, both of them have excellent dynamic characteristic performance, convenient and reliable in operation.

Operating Conditions

Ambient temperature: $-15^{\circ}\text{C} \leq \leq 40^{\circ}\text{C}$
Above sea level: not exceed 1000m
Rated voltage: $\pm 5\%$

STC 系列发电机适用于乡村、城镇、工地、山区及牧场等的照明及动力的三相交流电源。也可作为应急备用电源。发电机为防滴转场式，采用谐波励磁系统，使用安全可能，维护简单方便。

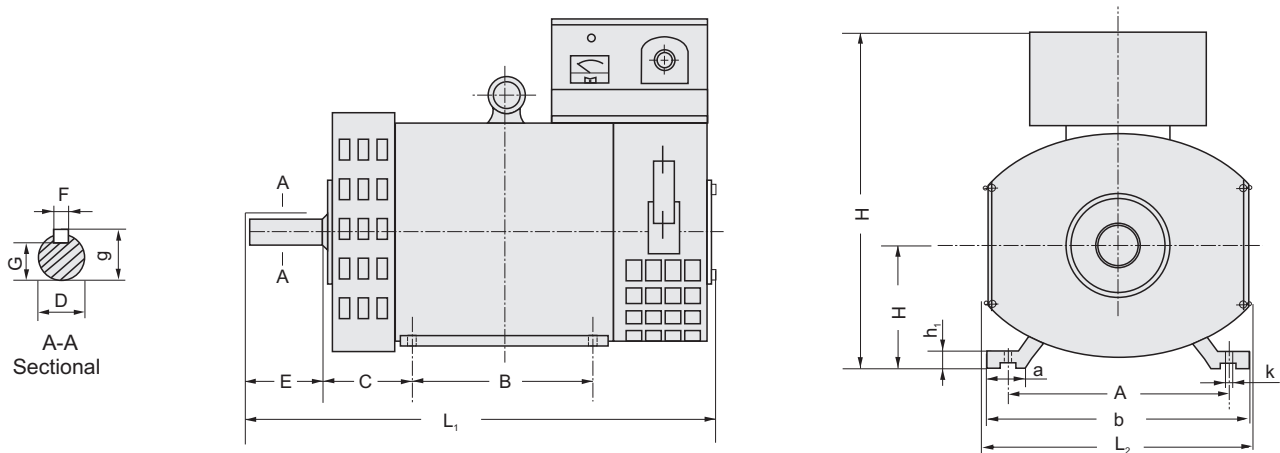
ST 系列单相交流同步发电机主要是作为小型船舶照明及城镇、乡村家庭日用电器的电源。发电机外型优雅大方，结构坚固耐用，维护方便。安装尺寸采用IEC标准。如采用B型端盖，可适应澳大利亚和欧美等地区的配套要求。发电机采用谐波励磁自激恒压和自动电压控制励磁恒压两种励磁系列，具有最佳的动态特性，使用方便可靠，经久耐用。

使用条件：

环境温度： $-15^{\circ}\text{C} \leq \leq 40^{\circ}\text{C}$
海拔：不超过1000m
额定电压： $\pm 5\%$



▶ 外形及安装尺寸 INSTALLATION SIZE & OVERALL DIMENSION



▶ 外形及安装尺寸 INSTALLATION SIZE & OVERALL DIMENSION

机座号 Frame Size	功率 Output		安装尺寸 Mounting Dimensions									外形尺寸 External Dimensions						重量 Weight (kg)	
	KVA	KW	A	B	C	D	E	F	G	H	K	a	b	h	h ₁	L ₁	L ₂		g
STC-3	3.8	3	216	178	89	∅32	80	10	27	132	13	34	250	18	400	480	270	35	70
STC-5	6.3	5	254	254	108	∅38	80	12	33	160	16	50	310	25	450	580	325	41	120
STC-7.5	9.4	7.5	254	254	108	∅38	80	12	33	160	16	50	310	25	58	580	325	41	130
STC-10	12.5	10	279	203	121	∅42	110	12	37	180	16	60	339	25	590	610	365	45	140
STC-12	15	12	279	203	121	∅42	110	12	37	180	16	60	339	25	490	610	365	45	155
STC-15	18.8	15	318	228	133	∅48	110	14	45	200	20	60	378	30	500	660	400	51.5	192
STC-20	25	20	318	228	133	∅48	110	14	45	200	20	60	378	30	500	660	400	51.5	202
STC-30	37.5	30	356	286	149	∅60	140	18	53	225	20	65	421	32	650	770	452	64	257
STC-40	50	40	356	286	149	∅60	140	18	53	225	20	65	421	32	650	770	452	64	290
STC-50	62.5	50	356	311	149	∅60	140	18	53	225	20	65	421	32	650	810	452	64	344
ST-2	3	3.8	216	178	89	∅32	80	10	27	132	13	34	250	18	400	480	270	35	70
ST-3	5	6.3	254	254	108	∅38	80	12	33	160	16	50	310	25	450	580	325	41	120
ST-5	7.5	9.4	254	254	108	∅38	80	12	33	160	16	50	310	25	58	580	325	41	130
ST-7.5	10	12.5	279	203	121	∅42	110	12	37	180	16	60	339	25	590	610	365	45	140
ST-10	12	15	279	203	121	∅42	110	12	37	180	16	60	339	25	490	610	365	45	155
ST-12	15	18.8	318	228	133	∅48	110	14	45	200	20	60	378	30	500	660	400	51.5	192
ST-15	20	25	318	228	133	∅48	110	14	45	200	20	60	378	30	500	660	400	51.5	202
ST-20	30	37.5	356	286	149	∅60	140	18	53	225	20	65	421	32	650	770	452	64	257

▶ 技术参数 TECHNICAL DATA

型号 TYPE	功率 Output		电流 Current (A)	极数 Pole Number	转速 Synchronous Speed (r.p.m)
	KVA	KW			
STC-3	3.8	3	5.4	4	1500
STC-5	6.3	5	9	4	1500
STC-7.5	9.4	7.5	13.5	4	1500
STC-10	12.5	10	18.1	4	1500
STC-12	15	12	21.7	4	1500
STC-15	18.8	15	27.1	4	1500
STC-20	25	20	36.1	4	1500
STC-30	37.5	30	54.1	4	1500
STC-40	50	40	72.2	4	1500
STC-50	62.5	50	90.2	4	1500
ST-2	3	3.8	8.7	4	1500
ST-3	5	6.3	13	4	1500
ST-5	7.5	9.4	21.8	4	1500
ST-7.5	10	12.5	32.6	4	1500
ST-10	12	15	43.3	4	1500
ST-12	15	18.8	52.2	4	1500
ST-15	20	25	65.3	4	1500
ST-20	30	37.5	87	4	1500