



1-300kW Micro Hydro Generator Sets

Axial flow type turbine

Francis type turbine

Inclined type turbine

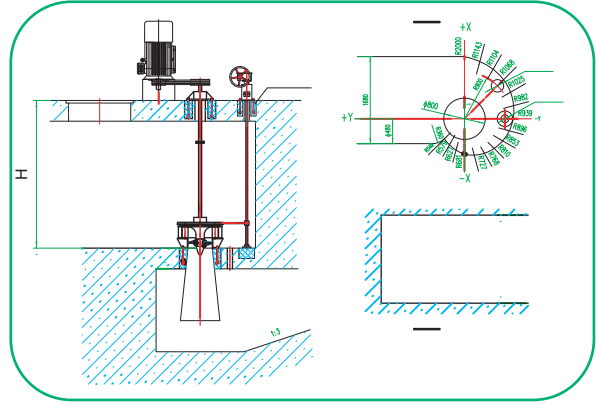
Impluse type turbine

Cross flow type turbine

Generator/Alternator



Axial flow Type Turbine



ZD760-LM-40 axial flow micro hydro genset technical data

Item	Turbine data				Generator data						coupling	Governor		Inlet valve	
	Head(M)	At design head		rated speed r/min	Item	Power kW	voltage V	currentA	speed r/min	run away r/min		Manual	code	diameter	
		flow(m ³ /s)	Output kW												
ZD760-LM-40Φ=+10°	3	0.514	12.6	779	SF10-8/368	10	400		750	1500	direct	TT-750			
	3.5	0.54	16.2	840	SF12-8/368	12	400		750	1500	direct	TT-750			
	4.5	0.65	24.1	1000	SF18-8/368	18	400		1000	2000	direct	TT-750			
	5.5	0.67	3.6	1000	SF26-8/423	26	400		1000	2000	direct	TT-750			
	2.9	0.569	13.2	724	SF10-8/368	10	400		750	1500	direct	TT-750			
	3.4	0.62	16.8	784	SF12-8/368	12	400		750	1500	direct	TT-750			
	4.3	0.69	23.9	880	SF18-8/368	18	400		1000	2000	direct	TT-750			
ZD760-LM-40Φ=+15°	5	0.77	30.7	1000	SF26-8/423	26	400		1000	2000	direct	TT-750			
	5.5	0.784	34.6	997	SF26-8/423	26	400		1000	2000	direct	TT-750			
	6	0.819	39	1041	SF40-8/423	40	400		1000	2000	direct	TT-750			
	2.8	0.62	12.6	711	SF10-8/368	10	400		750	1500	direct	TT-750			
	3.2	0.66	16.4	760	SF12-8/368	12	400		750	1500	direct	TT-750			
	4.2	0.76	24.7	870	SF18-8/368	18	400		750	1500	direct	TT-750			
	4.9	0.87	32	1000	SF26-8/423	26	400		1000	2000	direct	TT-750			
	5.8	0.93	39.6	1023	SF40-8/423	40	400	72.2	1000	2000	direct	TT-750			

ZD760-LM-60 axial flow micro hydro genset technical data

Item	Turbine data				Generator data						coupling	Governor		Inlet valve	
	Head(M)	At design head		rated speed r/min	Item	Power kW	voltage V	currentA	speed r/min	run away r/min		Manual	code	diameter	
		flow(m ³ /s)	Output kW												
ZD760-LM-60Φ=+5°	2.1	0.967	17.2	435	SF14-6/368	14	400	25.2	1000	2000	belt	TT-750			
	2.6	1.1	23.7	483	SF18-6/368	18	400	32.5	1000	2000	belt	TT-750			
	3.3	1.121	33.9	545	SF26-6/423	26	400	46.8	1000	2000	belt	TT-750			
	4.2	1.37	48.6	615	SF40-6/423	40	400	72.2	1000	2000	belt	TT-750			
	5.3	1.54	69	690	SF55-6/493	55	400	99	1000	2000	belt	TT-750			
	6	1.64	82.7	750	SF75-8/590	75	400	136	750	1650	direct	TT-750			
ZD760-LM-60Φ=+10°	2	1.064	17.6	401	SF14-6/368	14	400	25.2	1000	2000	belt	TT-750			
	2.5	1.19	24.6	448	SF18-6/368	18	400	32.5	1000	2000	belt	TT-750			
	3.1	1.33	33.9	500	SF26-6/423	26	400	46.8	1000	2000	belt	TT-750			
	4	1.51	49.7	577	SF40-6/423	40	400	72.2	1000	2000	belt	TT-750			
	5	1.69	69.6	635	SF55-6/493	55	400	99	1000	2000	belt	TT-750			
	6	1.93	92	750	SF75-8/590	75	400	136	750	1650	direct	TT-750			
ZD760-LM-60Φ=+15°	2.3	1.27	24	430	SF18-6/368	18	400	32.5	1000	2000	belt	TT-750			
	2.9	1.42	32.8	482	SF26-6/423	26	400	46.8	1000	2000	belt	TT-750			
	3.8	1.63	49.3	525	SF40-6/423	40	400	72.2	1000	2000	belt	TT-750			
	4.7	1.81	67.8	615	SF55-6/493	55	400	99	1000	2000	belt	TT-750			
	5.8	2	92.8	682	SF75-6/493	75	400	135.5	1000	2000	belt	TT-750			

ZD760-LM-80 axial flow micro hydro genset technical data

Item	Turbine data				Generator data						coupling	Governor		Inlet valve	
	Head(M)	At design head		rated speed r/min	Item	Power kW	voltage V	currentA	speed r/min	run away r/min		Manual	code	diameter	
		flow(m ³ /s)	Output kW												
ZD760-LM-80Φ=+5°	2.2	1.76	33.5	334	SF26-6/423	26	400	46.9	1000	2000	belt	TT-750			
	2.9	2.02	50.5	382	SF40-6/423	40	400	72.2	1000	2000	belt	TT-750			
	3.6	2.25	70.1	428.6	SF55-6/493	55	400	99	1000	2000	belt	TT-750			
	4.3	2.46	91.5	466	SF75-6/493	75	400	135.5	1000	2000	belt	TT-750			
	5	2.653	144.8	503	SF100-12/850	100	400	180.5	500	1000	belt	TT-750			
	5.2	2.67	120	500	SF100-8/590	100	400	180.5	750	1500	belt	TT-750			
	6	2.74	142	500	SF125-12/850	125	400	226	500	1000	direct	TT-750			
ZD760-LM-80Φ=+10°	2.1	1.938	34.2	334	SF26-6/423	26	400	46.9	1000	2000	belt	TT-750			
	2.6	2.157	47.1	382	SF40-6/423	40	400	72.2	1000	2000	belt	TT-750			
	2.7	2.19	49.7	428.6	SF40-6/493	40	400	72.2	1000	2000	belt	TT-750			
	3.3	2.44	67.7	466	SF75-6/493	75	400	135.5	1000	2000	belt	TT-750			
	4.3	2.68	90	503	SF75-6/493	75	400	135.5	1000	2000	belt	TT-750			
	5	3	126	500	SF100-6/590	100	400	180.5	1000	2000	belt	TT-750			
	5.5	3.13	144.7	500	SF125-12/850	125	400	226	500	1000	direct	TT-750			
ZD760-LM-80Φ=+15°	2	2.097	34.2	301	SF26-6/423	26	400	46.9	1000	2000	direct	TT-1500			
	2.6	2.37	50.2	340	SF40-6/423	40	400	72.2	1000	2000	direct	TT-1500			
	3.2	2.65	69.1	380	SF55-6/493	55	400	99	1000	2000	direct	TT-1500			
	3.9	2.92	92.8	428.6	SF75-6/493	75	400	135.5	1000	2000	direct	TT-1500			
	4.8	3.06	120.1	428.6	SF100-12/590	100	400	180.5	1000	2000	direct	TT-1500			
	5.4	3.13	141.2	500	SF125-12/850	125	400	226	500	1000	direct	TT-1500			
	6	3.54	174	500	SF160-12/850	160	400	288	500	1000	direct	TT-1500			



ZD760-LM/LMY-100 axial flow micro hydro genset technical data

Item	Turbine data				Generator data						coupling	Governor		Inlet valve	
	Head(M)	At design head		rated speed r/min	Item	Power kW	voltage V	currentA	speed r/min	run away r/min		Manual	Auto	code	diameter
		flow(m³/s)	Output kW												
ZD760-LM/LMY-100 Φ=+5°	2.1	2.608	47.1	261	SF40-8/493	40	400	72.2	750	1000	belt	manual	TT-3000		
	2.5	2.486	61.2	285	SF55-8/493	50	400	99.2	750	1000	belt	manual	TT-3000		
	2.7	2.96	68.5	300	SF55-8/493	55	400	99	1000	1500	belt	manual	TT-3000		
	3.3	3.27	92.5	327	SF75-8/590	75	400	135.5	750	1000	belt	manual	TT-3000		
	4	3.6	123	360	SF100-8/590	100	400	180.5	750	1000	belt	manual	TT-3000		
	4.4	3.78	143	375	SF125-16/990	125	400	226	375	750	direct	manual	TT-3000		
	5.2	3.95	177	375	SF160-16/990	160	400	289	375	750	direct	manual	TT-3000		
	6	4.34	224	428.6	SF200-14/990	200	400	361	429	856	direct	manual	TT-3000		
ZD760-LM/LMY-100 Φ=+10°	7	4.51	270	428.6	SF250-14/990	250	400	451	429	856	direct	manual	TT-3000		
	2	2.871	48	240	SF40-8/493	40	400	72.2	750	1000	belt	manual	TT-3000		
	2.5	3.21	67	269	SF55-8/493	55	400	99	750	1000	belt	manual	TT-3000		
	3.1	5.58	92.5	300	SF75-8/590	75	400	13.5	750	1000	gear	manual	TT-3000		
	3.9	3.71	121	300	SF100-8/590	100	400	180.5	750	1000	direct	manual	TT-3000		
	4.2	4.16	141.9	348	SF125-16/990	125	400	226	375	750	direct	manual	TT-3000		
	4.8	4.58	183	375	SF160-16/990	160	400	289	375	750	direct	manual	TT-3000		
	5.7	4.75	220	375	SF200-16/990	200	400	361	375	750	direct	manual	TT-3000		
ZD760-LM/LMY-100 Φ=+15°	6.5	5.2	280	428.6	SF250-14/990	250	400	451	429	856	direct	manual	TT-3000		
	2.2	3.337	59.5	252	SF55-8/493	55	400	99.2	750	1000	belt	manual	TT-3000		
	2.9	3.832	90	290	SF75-8/590	75	400	136	750	1000	belt	manual	TT-3000		
	3.5	4.209	119	318	SF100-8/590	100	400	181	750	1000	belt	manual	TT-3000		
	4	4.5	141	340	SF125-16/990	125	400	226	333	606	belt	manual	TT-3000		
	4.6	4.826	176	365	SF160-16/990	160	400	289	375	750	belt	manual	TT-3000		
	5.4	5.06	220	375	SF200-16/990	200	400	361	375	750	belt	manual	TT-3000		
	6	5.68	278	375	SF250-16/990	250	400	451	375	750	belt	manual	TT-3000		
7	6.63	355	429	SF320-14/990	320	400	577	429	856	belt	manual	TT-3000			

ZD560-LMY-40 axial flow micro hydro genset technical data

Item	Turbine data				Generator data						coupling	Governor		Inlet valve	
	Head(M)	At design head		rated speed r/min	Item	Power kW	voltage V	currentA	speed r/min	run away r/min		Manual	Auto	code	diameter
		flow(m³/s)	Output kW												
ZD560-LMY-40 Φ=+0°	4.3	0.366	12.6	700	SF10-8/368	10	400	18.1	750	1500	direct		TT-750		
	4.9	0.39	15.3	747	SF12-8/368	12	400	21.8	750	1500	direct		TT-750		
	5.1	0.4	16.3	750	SF12-8/368	12	400	21.8	750	1500	direct		TT-750		
	6.6	0.45	23.8	860	SF18-3/368	18	400	32.5	1000	2000	direct		TT-750		
	8.2	0.505	33.5	967	SF26-6/423	26	400	46.9	1000	2000	direct		TT-750		
	9.4	0.541	40.4	1035	SF40-6/423	40	400	72.2	1000	2000	direct		TT-750		
	10	0.563	44.5	1078	SF40-6/423	40	400	72.2	1000	2000	direct		TT-750		
	ZD560-LMY-40 Φ=+5°	4.5	0.47	16.8	813	SF12-8/368	12	400	21.8	750	1500	direct		TT-750	
5.7		0.54	24	1000	SF18-6/368	18	400	32.5	1000	2000	direct		TT-750		
7.2		0.59	33.6	1000	SF26-6/423	26	400	46.8	1000	2000	direct		TT-750		
8.2		0.623	40.1	1088	SF40-6/423	40	400	72.2	1000	2000	direct		TT-750		
8.9		0.649	44.8	1134	SF40-6/423	40	400	72.2	1000	2000	direct		TT-750		
10		0.702	58.4	1226	SF55-6/493	55	400	99.2	1000	2000	belt		TT-750		
11		0.725	64.3	1266	SF55-6/493	55	400	99.2	1000	2000	belt		TT-750		
12		0.76	74.1	1372	SF75-6/493	75	400	136	1000	2000	belt		TT-750		
ZD560-LMY-40 Φ=+10°	4	0.53	16.5	750	SF12-8/368	12	400	21.8	1000	2000	direct		TT-350		
	5.2	0.61	24.5	855	SF18-6/368	18	400	32.5	1000	2000	belt		TT-750		
	6.5	0.69	34.2	1000	SF26-6/423	26	400	46.8	1000	2000	belt		TT-750		
	7.2	0.708	40	1006	SF40-6/423	40	400	72.2	1000	2000	belt		TT-750		
	8.5	0.7	46.1	1000	SF40-6/423	40	400	72.2	1000	2000	belt		TT-750		
	9.2	0.8	57.8	1137	SF40-6/423	55	400	99.6	1000	2000	belt		TT-750		
	9.9	0.83	84.5	1180	SF55-6/493	55	400	99.6	1000	2000	belt		TT-750		
	10.9	0.871	74.5	1238	SF75-6/493	75	400	136	1000	2000	belt		TT-750		
ZD560-LMY-40 Φ=+15°	12	0.913	86	1299	SF75-6/493	75	400	136	1000	2000	belt		TT-750		
	4	0.61	18.4	750	SF12-6/368	12	400	21.8	1000	2000	belt		TT-750		
	4.9	0.67	25	830	SF18-6/368	18	400	32.5	1000	2000	belt		TT-750		
	6.1	0.75	34.7	925	SF26-6/423	26	400	46.8	1000	2000	belt		TT-750		
	6.8	0.791	39.8	978	SF40-6/423	40	400	72.2	1000	2000	direct		TT-750		
	7.4	0.825	47	1020	SF40-6/423	40	400	72.2	1000	2000	direct		TT-750		
	7.6	0.83	47.7	1000	SF40-6/423	40	400	72.2	1000	2000	direct		TT-750		
	8.6	0.889	58.1	1100	SF55-6/493	55	400	99	1000	2000	belt		TT-750		
ZD560-LMY-40 Φ=+20°	9.2	0.92	64.3	1137	SF75-6/493	55	400	99	1000	2000	belt		TT-350		
	10	0.946	74	1192	SF75-6/493	75	400	136	1000	2000	belt		TT-350		
	11	1.015	86.4	1255	SF75-6/493	75	400	136	1000	2000	belt		TT-350		
	4.6	0.74	25.3	764	SF18-6/368	18	400	32.5	1000	2000	belt		TT-350		
	5.7	0.81	34.3	836	SF26-6/423	26	400	46.8	1000	2000	belt		TT-350		
	7.3	0.97	51	1000	SF40-6/423	40	400	72.2	1000	2000	direct		TT-350		
	9	0.99	67.2	1000	SF55-6/493	55	400	99	1000	2000	direct		TT-350		



ZD560-LMY-60 axial flow micro hydro genset technical data

Item	Turbine data				Generator data						coupling	Governor		Inlet valve	
	Head(M)	At design head		rated speed r/min	Item	Power kW	voltage V	currentA	speed r/min	run away r/min		Manual	Auto	code	diameter
		flow(m ³ /s)	Output kW												
ZD560-LMY-60 Φ=+0°	4.7	0.86	33.5	488	SF26-6/423	26	400	46.9	1000	2000	belt	TT-1500			
	5.9	0.964	47.1	574	SF40-6/423	40	400	72.2	1000	2000	belt	TT-1500			
	6.2	0.99	50.8	560	SF40-6/423	40	400	72.2	1000	2000	belt	TT-1500			
	6.8	1.035	58.3	587	SF55-6/493	55	400	99	1000	2000	belt	TT-1500			
	7.2	1.065	63.3	604	SF55-6/493	55	400	99	1000	2000	belt	TT-1500			
	7.6	1.09	69	621	SF55-10/590	55	400	99	600	1200	direct	TT-1500			
	8	1.122	74.4	636	SF75-6/493	75	400	135.5	1000	2000	belt	TT-1500			
	8.9	1.184	87.3	671	SF75-6/493	75	400	135.5	1000	2000	belt	TT-1500			
	9.3	1.21	92	687	SF75-6/493	75	400	135.5	1000	2000	belt	TT-1500			
	10.6	1.292	113.5	733	SF100-8/593	100	400	181.5	750	1500	direct	TT-1500			
	11.2	1.26	119.5	750	SF100-8/590	100	400	180.5	750	1500	direct	TT-1500			
	12.7	1.35	142.8	750	SF125-8/590	125	400	226	750	1650	direct	TT-1500			
	14	1.62	187	1000	SF160-8/590	160	400	289	1000	2200	direct	TT-1500			
	ZD560-LMY-60 Φ=+5°	4.2	1.003	34.7	519	SF26-6/423	26	400	46.9	1000	2000	belt	TT-1500		
4.8		1.073	42.4	555	SF40-6/423	40	400	72.2	1000	2000	belt	TT-1500			
5.2		1.116	47.8	578	SF40-6/423	40	400	72.2	1000	2000	belt	TT-1500			
5.5		1.15	52	595	SF40-6/423	40	400	72.2	1000	2000	belt	TT-1500			
6		1.199	59.3	621	SF55-6/493	55	400	99	1000	1000	belt	TT-1500			
6.7		1.27	70	656	SF55-10/490	55	400	99	600	1320	direct	TT-1500			
7.8		1.41	87.6	750	SF75-8/590	75	400	135.5	750	1650	direct	TT-1500			
9.4		1.45	114	750	SF100-8/590	100	400	180.5	750	1650	direct	TT-1500			
11		1.56	142	750	SF125-8/990	125	400	226	750	1650	direct	TT-1500			
13		1.85	183	750	SF160-8/590	160	400	289	1000	1650	direct	TT-1500			
14		1.89	213	1000	SF200-6/740	200	400	361	1000	1000	direct	TT-1500			
ZD560-LMY-40 Φ=+10°		4.8	1.33	51.5	538	SF40-6/423	40	400	72.2	600	1000	belt	TT-1500		
		5.6	1.404	63.2	592	SF55-10/590	55	400	99	600	1320	direct	TT-1500		
		6	1.45	70.5	612	SF55-10/590	55	400	99	600	1320	direct	TT-1500		
	7.2	1.59	92.5	670	SF75-10/590	75	400	135.5	750	1320	direct	TT-1500			
	8.4	1.73	117	750	SF100-8/590	100	400	180.5	750	1650	direct	TT-1500			
	9.9	1.76	143	750	SF125-8/590	125	400	226	750	1650	direct	TT-1500			
	12	1.8	180	750	SF160-8/740	160	400	289	750	1650	direct	TT-1500			
	14	1.86	215	750	SF200-6/740	200	400	361	750	1650	direct	TT-1500			
ZD560-LMY-60 Φ=+15°	4.6	1.46	53.1	536	SF40-6/423	40	400	72.2	1000	1000	belt	TT-1500			
	5.6	1.61	71.6	590	SF55-10/590	55	400	99	600	1320	direct	TT-1500			
	6.8	1.78	95.5	652	SF75-10/590	75	400	135.5	600	1320	direct	TT-1500			
	7.8	2	120	750	SF100-8/590	100	400	180.5	750	1650	direct	TT-1500			
	9	2.05	145	750	SF125-8/590	125	400	226	750	1650	direct	TT-1500			
	11	2.1	181	750	SF160-8/740	160	400	289	750	1500	direct	TT-1500			
	13	2.12	222	750	SF200-8/740	200	400	361	750	1500	direct	TT-1500			
14	2.1	238	750	SF250-8/850	250	400	451	750	1500	direct	TT-1500				

ZD560-LMY-80 axial flow micro hydro genset technical data

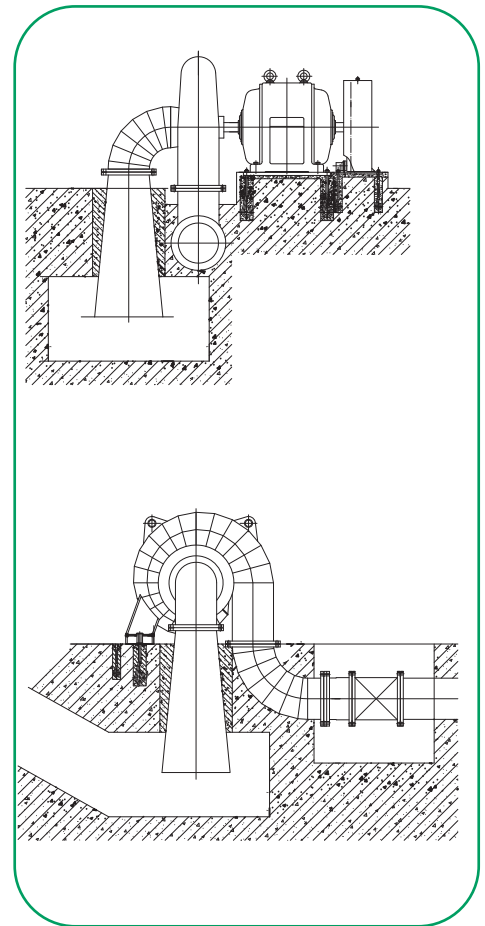
Item	Turbine data				Generator data						coupling	Governor		Inlet valve	
	Head(M)	At design head		rated speed r/min	Item	Power kW	voltage V	currentA	speed r/min	run away r/min		Manual	Auto	code	diameter
		flow(m ³ /s)	Output kW												
ZD560-LMY-80 Φ=+0°	4	1.411	47.6	338	SF40-6/423	40	400	72.2	1000	1000	belt	TT-3000			
	4.9	1.561	64.5	374	SF55-6/493	55	400	99.2	1000	1000	belt	TT-3000			
	6	1.728	87.4	413	SF75-6/493	75	400	136	1000	1000	belt	TT-3000			
	7.4	1.92	120.3	500	SF100-12/850	100	400	181	500	1000	direct	TT-3000			
	8.6	2.06	15.6	500	SF125-12/850	125	400	225	500	1000	direct	TT-3000			
	10	2.23	189	600	SF160-10/740	160	400	289	600	1200	direct	TT-3000			
	11.5	2.36	233	600	SF200-10/850	200	400	361	600	1200	direct	TT-3000			
	13.5	2.47	286	600	SF250-10/850	250	400	451	600	1200	direct	TT-3000			
	15	2.76	352	750	SF320-8/990	320	400	577	750	1500	direct	TT-3000			
	18	2.89	440	750	SF400-8/990	400	400	721	750	1500	direct	TT-3000			
	ZD560-LMY-80 Φ=+5°	4.3	1.805	64	394	SF55-6/493	55	400	99.2	1000	1000	belt	TT-3000		
		5.3	2.004	87.5	437	SF75-6/493	75	400	136	1000	1000	belt	TT-3000		
6.4		2.202	115.4	481	SF100-12/850	100	400	181	500	1000	direct	TT-3000			
7.6		2.4	154	500	SF125-12/850	125	400	225	500	1000	direct	TT-3000			
8.8		2.66	192	600	SF160-10/740	160	400	289	600	1200	direct	TT-3000			
10.2		6.72	235	600	SF200-10/850	200	400	361	600	1200	direct	TT-3000			
11.9		2.82	289	600	SF250-10/850	250	400	451	600	1200	direct	TT-3000			
13.5		3.2	349	750	SF320-8/990	320	400	577	750	1500	direct	TT-3000			
15.5	3.28	428	750	SF400-8/990	400	400	721	750	1500	direct	TT-3000				
ZD560-LMY-80 Φ=+10°	4.7	2.287	88.6	40.7	SF75-6/493	75	400	136	1000	1000	belt	TT-150			
	5.7	2.518	118.3	448	SF100-6/590	100	400	181	1000	1000	belt	TT-150			
	6.8	2.75	155	500	SF125-14/850	125	400	225	500	1000	direct	TT-150			
	8.1	2.78	190	500	SF160-12/850	160	400	289	500	1000	direct	TT-150			
	9.2	2.97	233	500	SF200-12/850	200	400	361	500	1000	direct	TT-150			
	10.6	3.27	288	600	SF250-10/850	250	400	451	600	1200	direct	TT-150			
	12.6	3.44	365	600	SF320-10/990	320	400	577	600	1200	direct	TT-150			
13.5	3.98	445	750	SF400-8/990	400	400	721	750	1500	direct	TT-150				
ZD560-LMY-80 Φ=+15°	4.3	2.515	87	389	SF75-6/493	75	400	136	1000	1000	belt	TT-150			
	5.3	2.792	119	432	SF100-6/590	100	400	181	1000	1000	gear	TT-3000			
	6.1	2.995	147.9	363	SF125-14/850	125	400	225	429	1000	direct	TT-3000			
	7.2	3.25	190	500	SF160-12/850	160	400	289	500	1000	direct	TT-3000			
	8.4	3.3	235.5	500	SF200-12/850	200	400	361	500	1000	direct	TT-3000			
	9.7	3.78	289	600	SF250-10/850	250	400	451	600	1200	direct	TT-3000			
	11.2	3.85	348	600	SF320-10/990	320	400	577	600	1200	direct	TT-3000			
	13.4	3.98	432	600	SF400-10/990	400	400	721	600	1200	direct	TT-3000			
14	4.205	482.3	702	SF500-10/1180	500	400	902	600	1200	direct	TT-3000				



ZD micro axial flow turbine data (propeller)				
Item	head-H (m)	flow-Q (L/s)	speed n (r/min)	power N(HP)
10 type	0.5	14.8	1340	0.063
	1	21	1900	0.178
	1.5	25	2330	0.326
	2	29.7	2690	0.503
	2.5	33.3	3010	0.705
	3	36.4	3290	0.905
	3.5	39.3	3560	1.165
	4	42	3800	1.42
20 type	0.5	59.3	670	0.273
	1	84	950	0.772
	1.5	103	1164	1.4
	2	108.8	1343	2.18
	2.5	132.8	1500	3.06
	3	145.7	1650	4
	3.5	157.7	1780	5.05
	4	168	1600	6.17
30 type	0.5	133.8	448	0.632
	1	189	633	1.79
	1.5	231.5	725	3.29
	2	267.5	895	5.06
	2.5	299	1000	7.08
	3	237.5	1098	9.28
	3.5	354	1186	11.7
	4	378	1266	14.3
40 type	0.5	238	336	1.18
	1	336	475	3.32
	1.5	412	482	6.1
	2	475	672	9.38
	2.5	532	752	13
	3	583	823	17
	3.5	630	890	21.7
	4	672	950	26.5
60 type	0.5	535	224	2.7
	1	756	317	7.65
	1.5	927	388	14
	2	1070	448	21.6
	2.5	1196	502	30.2
	3	1311	548	39.7
	3.5	1416	593	50
	4	1512	634	61.2



Francis type turbine



HL310 francis micro hydro genset technical data									
(H-m, N-kW, Q-m ³ /S, N-R/min)									
H	HL310-WG-25			HL310-WG-30			HL310-WG-35		
	N	Q	n	N	Q	n	N	Q	n
3	3.8	0.164	630	5.5	0.237	252	7.5	0.322	450
4	5.5	0.18	725	8.6	0.279	606	11.6	0.372	519
5	8.1	0.212	810	11.8	0.305	675	16.2	0.415	578
6	10.7	0.232	890	15.6	0.335	742	21.3	0.455	635
7	13.5	0.252	962	19.6	0.362	802	26.9	0.492	689
8	16.4	0.268	1050	23.9	0.387	858	32.8	0.525	734
9	19.7	0.285	1080	28.8	0.412	910	39.2	0.577	780
10	23	0.3	1150	33.5	0.433	958	45.7	0.587	821
11	26.5	0.314	1203	38.7	0.454	1020	53	0.616	860
12	30.2	0.329	1260	44	0.474	1050	60.5	0.645	900
13	34.1	0.342	1305	49.6	0.494	1092	68	0.67	936
14	38	0.355	1360	55.6	0.513	1135	75.9	0.695	972
15	42.2	0.367	1405	61.5	0.53	1172	84.4	0.72	1005
16	46.6	0.38	1452	67.7	0.547	1210	90	0.745	1040
17	50.8	0.39	1490	74.1	0.563	1249	101.5	0.765	1070
18	55.6	0.403	1540	80.8	0.58	1285	111	0.788	1100

HL240-LJ/WJ-42 francis micro hydro genset technical data															
Turbine data					Generator data						Governor		Inlet valve		
Item	Head(M)	At design head		rated speed r/min	Item	Power kW	voltage V	currentA	speed r/min	run away r/min	coupling	Manual	Auto	code	
		flow(m ³ /s)	Output kW											code	diameter
HL240-LJ/WJ-42	11	0.695	62.9	569	SF55-10/590	55	400	100	600	1320	direct	manual	TT-750	Z45T-1	Φ600
	13.5	0.77	84.7	631	SF75-10/590	75	400	136	600	1320	direct	manual	TT-750	Z45T-1	Φ600
	16.1	0.841	111	689	SF100-8/590	100	400	181	750	1650	direct	manual	TT-750	Z45T-1	Φ600
	18.7	0.906	139	742	SF125-8/590	125	400	236	750	1650	direct	manual	TT-750	Z45T-1	Φ600
	22.2	0.987	177	809	SF160-8/740	160	400	289	750	1650	direct	manual	TT-750	Z45T-1	Φ600
	26	1.069	221	875	SF200-6/740	200	400	361	750	1650	direct	manual	TT-750	Z45T-1	Φ600
	29.4	1.136	275	931	SF250-6/740	250	400	451	1000	1800	direct	manual	TT-750	Z45T-1	Φ600
	34.9	1.238	354	1014	SF320-6/850	320	400	577	1000	1800	direct	manual	TT-750	Z45T-1	Φ600
40.1	1.332	435	1091	SF400-6/850	400	400	722	1000	1800	direct	manual	TT-750	Z45T-1	Φ600	

HL260-LJ/WJ francis micro hydro genset technical data															
Turbine data					Generator data						Governor		Inlet valve		
Item	Head(M)	At design head		rated speed r/min	Item	Power kW	voltage V	currentA	speed r/min	run away r/min	coupling	Manual	Auto	code	
		flow(m ³ /s)	Output kW											code	diameter
HL260-LJ/WJ-25	9.2	0.21	14.5	1000	TSMN36.8/12.5-6	12	400		1000	2400	direct	manual	TT-35	Z44T-10	Φ400
	11.4	0.25	21.4	1000	TSMN36.8/18-6	18	400		1000	2400	direct	manual	TT-35	Z44T-10	Φ400
	14	0.3	30.5	1000	TSMN42.3/19-6	26	400		1000	2400	direct	manual	TT-35	Z44T-10	Φ400
	18.4	1.35	45	1000	TSMN42.3/25-6	40	400		1000	2400	direct	manual	TT-35	Z44T-10	Φ400
	23.6	0.36	62.6	1500	TSMN42.3/27-4	55	400		1500	3600	direct	manual	TT-35	Z44T-10	Φ400
HL260-LJ/WJ-30	8.5	0.33	21.4	750	SFW18-8/423	12	400	32.5	750	1650	direct	manual	TT-150	Z45T-1	Φ500
	10.5	0.83	30.1	750	SFW26-8/423	26	400	46.9	750	1650	direct	manual	TT-150	Z45T-1	Φ500
	14.4	0.42	45.6	1000	SFW40-8/423	40	400	72.5	1000	1800	direct	manual	TT-150	Z45T-1	Φ500
	17.2	0.48	62.6	1000	SFW55-6/493	55	400	99.5	1000	1800	direct	manual	TT-150	Z45T-1	Φ500
	20.8	0.55	84	1000	SFW75-6/493	75	400	136	1000	1800	direct	manual	TT-150	Z45T-1	Φ500
HL260-LJ/WJ-35	28														
	11.5	0.52	46	750	SFW40-8/493	40	400	72.5	750	1650	direct	manual	TT-150	Z45T-1	Φ500
	13.8	0.6	62	750	SFW55-8/493	55	400	99.5	750	1650	direct	manual	TT-150	Z45T-1	Φ500
	17.8	0.61	84	1000	SFW75-6/493	75	400	136	1000	1800	direct	manual	TT-150	Z45T-1	Φ500
	20.8	0.7	112	1000	SFW100-8/590	100	400	181	1000	1800	direct	manual	TT-150	Z45T-1	Φ500
	23.8	0.78	140	1000	SFW125-8/590	125	400	226	1000	1800	direct	manual	TT-150	Z45T-1	Φ500
HL260-LJ/WJ-42	28	0.86	180	1000	SFW160-6/590	160	400	289	1000	1800	direct	manual	TT-150	Z45T-1	Φ500
	11.1	0.741	62.9	611	SFW55-10/590	55	400	100	600	1320	direct	manual	TT-150	Z45T-1	Φ600
	13.3	0.851	84.8	669	SFW75-10/590	75	400	136	600	1320	direct	manual	TT-150	Z45T-1	Φ600
	16.4	0.886	112	742	SFW100-8/590	100	400	181	750	1650	direct	manual	TT-150	Z45T-1	Φ600
	18.4	0.976	139	786	SFW125-8/590	125	400	226	750	1650	direct	manual	TT-150	Z45T-1	Φ600
	21.6	1.07	179	852	SFW160-8/740	160	400	289	750	1350	direct	manual	TT-150	Z45T-1	Φ600
	26.3	1.09	222	940	SFW200-6/740	200	400	361	1000	1800	direct	manual	TT-150	Z45T-1	Φ600
	29.5	1.196	274	996	SFW250-6/740	250	400	451	1000	1800	direct	manual	TT-150	Z45T-1	Φ600

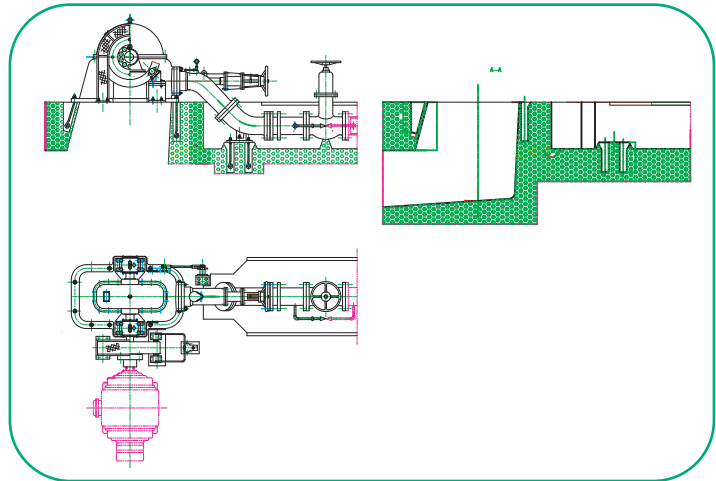


HL110 francis micro hydro genset technical data															
(H-m,N-kW,Q-m ³ /S、N-R/min)															
H	HL110-WG-25			HL110-WG-30			HL110-WG-35			HL110-WG-42			HL110-WG-50		
	N	Q	n	N	Q	n	N	Q	n	N	Q	n	N	Q	n
18	13.3	0.094	1040	19.5	0.14	870	26.8	0.19	746	39.01	0.269	621	55.9	0.382	522
20	15.7	0.1	1100	22.8	0.15	917	31.4	0.197	786	45.7	0.28	655	64.41	0.403	550
25	22	0.112	1230	31.9	0.16	1025	43.9	0.22	879	63.86	0.318	732	91.5	0.45	615
30	28.8	0.122	1350	41.9	0.18	1123	57.7	0.24	962	83.9	0.348	802	120.3	0.493	674
35	36.3	0.132	1450	52.9	0.19	1213	72.7	0.26	1040	105.8	0.38	866			
40	44.4	0.141	1560	59.8	0.205	1285	88.76	0.279	1110	129.2	0.402	926			
45				77.2	0.218	1375	105.9	0.289	1179	154.2	0.426	982			
50				90	0.229	1450	124.1	0.312	1243	180.6	0.449	1035			
55				104	0.24	1520									
60				119	0.25	1590									
65				134	0.26	1650									

HL110-WJ francis micro hydro genset technical data															
Item	Turbine data				Generator data						coupling	Governor		Inlet valve	
	Head(M)	At design head		rated speed	Item	Power	voltage V	currentA	speed r/min	run away		Manual	Auto	code	diameter
		flow(m ³ /s)	Output kW	r/min		kW				r/min					
HL110-WJ-35	20	0.21	32.7	750	SFW26-8/493	26	400	46.9	750	1500	direct	manual	TT-150	2941T-1	Φ400
	29	0.24	48.6	750	SFW40-8/493	40	400	72.5	750	1500	direct	manual	TT-150	2941T-1	Φ400
	31	0.26	63	750	SFW55-8/493	55	400	99.5	750	1500	direct	manual	TT-150	2941T-1	Φ400
	37.8	0.26	85	1000	SFW75-6/493	75	400	136	1000	2200	direct	manual	TT-150	2941T-1	Φ400
	45.5	0.31	112	1000	SFW100-6/590	100	400	181	1000	2200	direct	manual	TT-150	2941T-1	Φ400
HL110-WJ-42	53	0.34	125	1000	SFW125-6/590	125	400	226	1000	2200	direct	manual	TT-150	2941T-1	Φ400
	21	0.28	46.6	671	SFW40-8/493	40	400	72.5	750	1500	direct	manual	TT-150	2941T-1	Φ400
	25	0.31	62.7	732	SFW55-8/493	55	400	99.5	750	1500	direct	manual	TT-150	2941T-1	Φ400
	30.2	0.35	84.4	805	SFW75-8/493	75	400	136	750	1650	direct	manual	TT-150	2941T-1	Φ400
	36.7	0.4	112	887	SFW100-8/590	100	400	181	750	1650	direct	manual	TT-150	2941T-1	Φ400
	42	0.4	136	949	SFW125-6/590	125	400	226	1000	2200	direct	manual	TT-150	2941T-1	Φ400
HL110-WJ-50	49	0.45	176	1025	SFW160-6/590	160	400	289	1000	2200	direct	manual	TT-150	2941T-1	Φ400
	58	0.48	222	1115	SFW200-6/740	200	400	361	1000	1800	direct	manual	TT-150	2941T-1	Φ400
	68	0.52	274	1207	SFW250-6/740	250	400	451	1000	1800	direct	manual	TT-150	2941T-1	Φ400
	20.2	0.39	63.1	553	SFW55-10/590	55	400	100	600	1320	direct	manual	TT-150	2941T-1	Φ500
	23.6	0.44	84.5	598	SFW75-10/590	75	400	136	600	1320	direct	manual	TT-150	2941T-1	Φ500
	28.7	0.48	111	659	SFW100-10/590	100	400	181	600	1320	direct	manual	TT-150	2941T-1	Φ500
	33.4	0.51	138	711	SFW125-8/590	125	400	226	750	1650	direct	manual	TT-150	2941T-1	Φ500
	38.8	0.56	178	766	SFW160-8/740	160	400	289	750	1350	direct	manual	TT-150	2941T-1	Φ500
	45.5	0.61	222	830	SFW200-8/740	200	400	361	750	1350	direct	manual	TT-150	2941T-1	Φ500
	53	0.66	275	895	SFW250-6/740	250	400	451	1000	1800	direct	manual	TT-150	2941T-1	Φ500
	61.3	0.71	353	963	SFW320-6/850	320	400	577	1000	1800	direct	manual	TT-150	2941T-1	Φ500
70.5	0.76	435	1033	SFW400-6/850	400	400	732	1000	1800	direct	manual	TT-150	2941T-1	Φ500	
82.9	0.82	543	1120	SFW500-6/990	500	400	902	1000	1800	direct	manual	TT-150	2941T-1	Φ500	
97.5	0.9	681	1215	SFW630-6/990	630	400	1134	1000	1800	direct	manual	TT-150	2941T-1	Φ500	



Inclined type turbine



XJ series inclined jet turbine micro hydro genset technical data															
Item	Turbine data				Generator data						coupling	Governor		Inlet valve	
	Head (M)	At design flow(m³/s)	Output kW	rated speed r/min	Item	Power kW	voltage V	current A	speed r/min	run away r/min		Manual	Auto	code	diameter
XJ13-W-25/1×7	35	0.089	21.3	1000	SFW20-6/369	20	400	36.1	1000	1800	direct	manual		Z4111-1.6C	Φ200
	40	0.095	26.8	1000	SFW26-6/423	26	400	46.9	1000	1800	direct	manual		Z4111-1.6C	Φ200
	45	0.101	32.5	1000	SFW26-6/423	26	400	46.9	1000	1800	direct	manual		Z4111-1.6C	Φ200
	50	0.106	38.1	1000	SFW40-6/423	40	400	72.2	1000	2200	direct	manual		Z4111-1.6C	Φ200
	55	0.111	42.7	1000	SFW40-6/423	40	400	72.2	1000	2200	direct	manual		Z4111-1.6C	Φ200
	60	0.116	49.6	1000	SFW55-6/493	55	400	99.1	1000	2200	direct	manual		Z4111-1.6C	Φ200
	65	0.121	54.8	1000	SFW55-6/493	55	400	99.1	1000	2200	direct	manual		Z4111-1.6C	Φ200
XJ13-W-20/1×5	70	0.127	62.7	1000	SFW55-6/493	75	400	136	1000	2200	direct	manual		Z4111-1.6C	Φ200
	30	0.0482	10.9	1095	SFW10-6/268	10	400	18	1000	1800	direct	manual		Z41H-1.6C	Φ200
	35	0.0521	13.4	1183	SFW10-6/268	10	400	18	1000	1800	direct	manual		Z41H-1.6C	Φ200
	40	0.0556	16.2	1265	SFW15-4/368	15	400	27	1500	2200	direct	manual		Z41H-1.6C	Φ200
	45	0.059	19.7	1340	SFW15-4/368	15	400	27	1500	2200	direct	manual		Z41H-1.6C	Φ200
	50	0.0621	23.4	1410	SFW26-4/368	26	400	46.9	1500	2200	direct	manual		Z41H-1.6C	Φ200
	55	0.0652	27.4	1480	SFW26-4/368	26	400	46.9	1500	2200	direct	manual		Z41H-1.6C	Φ200
	60	0.068	31.2	1550	SFW26-4/368	40	400	46.9	1500	2200	direct	manual		Z41H-1.6C	Φ200
	65	0.071	35.1	1610	SFW40-4/423	40	400	72.2	1500	2400	direct	manual		Z41H-1.6C	Φ200
	70	0.0735	38.8	1670	SFW40-4/423	40	400	72.2	1500	2400	direct	manual		Z41H-1.6C	Φ200
	75	0.076	42.5	1730	SFW40-4/423	40	400	72.2	1500	2400	direct	manual		Z41H-1.6C	Φ200
XJ02-W-32/1×7	80	0.0786	48.2	1790	SFW40-4/423	40	400	72.2	1500	2400	direct	manual		Z41H-1.6C	Φ200
	85	0.081	49.3	1840	SFW50-4/423	55	400	99.1	1500	2400	direct	manual		Z41H-1.6C	Φ200
	30	0.09	20.4	685	SFW20-8/368	20	400	36.2	750	1500	direct	manual	YTT-35	Z4111-1.6C	Φ250
	35	0.097	26	740	SFW20-8/368	20	400	36.2	750	1500	direct	manual	YTT-35	Z4111-1.6C	Φ250
	40	0.104	32	791	SFW30-8/493	30	400	54.3	750	1500	direct	manual	YTT-35	Z4111-1.6C	Φ250
	45	0.11	37.9	839	SFW40-8/493	40	400	72.2	750	1500	direct	manual	YTT-35	Z4111-1.6C	Φ250
	50	0.116	43.8	884	SFW40-8/493	40	400	72.2	750	1500	direct	manual	YTT-35	Z4111-1.6C	Φ250
	55	0.121	52	927	SFW55-6/193	55	400	99.2	1000	1800	direct	manual	YTT-35	Z4111-1.6C	Φ250
	60	0.127	59	968	SFW55-6/493	55	400	99.2	1000	1800	direct	manual	YTT-35	Z4111-1.6C	Φ250
	65	0.132	66.9	1008	SFW75-6/493	75	400	136	1000	1800	direct	manual	YTT-35	Z4111-1.6C	Φ250
	70	0.137	74.4	1046	SFW75-6/493	75	400	136	1000	1800	direct	manual	YTT-35	Z4111-1.6C	Φ250
	75	0.142	82.5	1083	SFW75-6/493	75	400	136	1000	1800	direct	manual	YTT-35	Z4111-1.6C	Φ250
	80	0.146	89.9	1118	SFW75-6/193	75	400	136	1000	1800	direct	manual	YTT-35	Z4111-1.6C	Φ250
	85	0.151	96.6	1152	SFW100-6/590	100	400	181	1000	2200	direct	manual	YTT-35	Z4111-1.6C	Φ250
	90	0.155	105.5	1186	SFW100-6/590	100	400	181	1000	2200	direct	manual	YTT-35	Z4111-1.6C	Φ250
XJ02-W-32/1×8	95	0.16	112.2	1218	SFW100-6/590	100	400	181	1000	2200	direct	manual	YTT-35	Z4111-1.6C	Φ250
	100	0.164	120	1250	SFW100-6/590	125	400	226	1000	2200	direct	manual	YTT-35	Z4111-1.6C	Φ250
	105	0.168	132	1250	SFW125-6/590	125	400	226	1000	2200	direct	manual	YTT-35	Z4111-1.6C	Φ250
	110	0.171	140	1250	SFW125-6/590	125	400	226	1000	2200	direct	manual	YTT-35	Z4111-1.6C	Φ250
	115	0.176	149	1250	SFW125-6/590	125	400	226	1000	2200	direct	manual	YTT-35	Z4111-1.6C	Φ250
	120	0.18	150	1250	SFW125-6/590	125	400	226	1000	2200	direct	manual	YTT-35	Z4111-1.6C	Φ250
	30	0.126	35.5	740	SFW40-8/493	40	400	72.2	750	1500	indirect	manual	YTT-35	Z41H-1.6C	Φ250
	40	0.136	43.5	791	SFW40-8/493	40	400	72.2	750	1500	indirect	manual	YTT-35	Z41H-1.6C	Φ250
	45	0.143	48.5	839	SFW40-8/493	40	400	72.2	750	1500	indirect	manual	YTT-35	Z41H-1.6C	Φ250
	50	0.151	57	884	SFW55-8/493	55	400	99.1	750	1500	indirect	manual	YTT-35	Z41H-1.6C	Φ250
	55	0.159	66	927	SFW55-8/493	55	400	99.1	750	1500	indirect	manual	YTT-35	Z41H-1.6C	Φ250
	60	0.166	75	968	SFW75-6/493	75	400	136	1000	1800	indirect	manual	YTT-35	Z41H-1.6C	Φ250
	65	0.172	83.4	1008	SFW75-6/493	75	400	136	1000	1800	indirect	manual	YTT-35	Z41H-1.6C	Φ250
	70	0.179	94.3	1046	SFW100-6/590	100	400	181	1000	2200	indirect	manual	YTT-35	Z41H-1.6C	Φ250
	75	0.185	104.7	1083	SFW100-6/590	100	400	181	1000	2200	indirect	manual	YTT-35	Z41H-1.6C	Φ250
80	0.191	115.4	1118	SFW100-6/590	100	400	181	1000	2200	indirect	manual	YTT-35	Z41H-1.6C	Φ250	
85	0.197	126.3	1152	SFW125-6/590	125	400	226	1000	2200	indirect	manual	YTT-35	Z41H-1.6C	Φ250	
90	0.203	137.9	1186	SFW125-6/590	125	400	226	1000	2200	indirect	manual	YTT-35	Z41H-1.6C	Φ250	
95	0.208	149.1	1218	SFW160-6/590	160	400	289	1000	2200	indirect	manual	YTT-35	Z41H-1.6C	Φ250	
100	0.214	161.1	1250	SFW160-6/590	160	400	289	1000	2200	indirect	manual	YTT-35	Z41H-1.6C	Φ250	
105	0.219	180.8	1250	SFW160-6/590	160	400	289	1000	2200	indirect	manual	YTT-35	Z41H-1.6C	Φ250	
110	0.224	200.7	1250	SFW200-6/740	200	400	361	1000	2200	indirect	manual	YTT-35	Z41H-1.6C	Φ250	
115	0.229	225.1	1250	SFW200-6/740	200	400	361	1000	2200	indirect	manual	YTT-35	Z41H-1.6C	Φ250	
120	0.235	145.1	1250	SFW200-6/740	200	400	361	1000	2200	indirect	manual	YTT-35	Z41H-1.6C	Φ250	



XJ series inclined jet turbine micro hydro genset technical data															
Item	Turbine data				Generator data						coupling	Governor		Inlet valve	
	Head (M)	At design head flow(m ³ /s)	Output kW	rated speed r/min	Item	Power kW	voltage V	current A	speed r/min	run away r/min		Manual	Auto	code	diameter
XJ02-W-32/1×9	30	0.135	29.2	685	SFW26-6/493	26	400	46.9	750	1500	direct	manual	YTT-35	Z41H-1.6C	Φ200
	35	0.145	37.3	740	SFW40-8/493	40	400	72.2	750	1500	direct	manual	YTT-35	Z41H-1.6C	Φ200
	40	0.155	45.6	791	SFW40-8/493	40	400	72.2	750	1500	direct	manual	YTT-35	Z41H-1.6C	Φ200
	45	0.165	55.7	839	SFW55-8/493	55	400	99.2	750	1500	direct	manual	YTT-35	Z41H-1.6C	Φ200
	50	0.174	62.3	884	SFW55-8/493	55	400	99.2	750	1500	direct	manual	YTT-35	Z41H-1.6C	Φ200
	55	0.182	73.6	927	SFW75-6/493	75	400	136	1000	1800	direct	manual	YTT-35	Z41H-1.6C	Φ200
	60	0.19	89.9	968	SFW75-6/493	75	400	136	1000	1800	direct	manual	YTT-35	Z41H-1.6C	Φ200
	65	0.198	95.2	1008	SFW100-6/590	100	400	181	1000	2200	direct	manual	YTT-35	Z41H-1.6C	Φ200
	70	0.206	106	1046	SFW100-6/590	100	400	181	1000	2200	direct	manual	YTT-35	Z41H-1.6C	Φ200
	75	0.213	117	1083	SFW100-6/590	100	400	181	1000	2200	direct	manual	YTT-35	Z41H-1.6C	Φ200
	80	0.22	127	1118	SFW100-6/590	100	400	181	1000	2200	direct	manual	YTT-35	Z41H-1.6C	Φ200
	85	0.227	139	1152	SFW125-6/590	125	400	226	1000	2200	direct	manual	YTT-35	Z41H-1.6C	Φ200
	90	0.233	149	1186	SFW125-6/590	125	400	226	1000	2200	direct	manual	YTT-35	Z41H-1.6C	Φ200
	95	0.24	161	1218	SFW160-6/590	160	400	289	1000	2200	direct	manual	YTT-35	Z41H-1.6C	Φ200
100	0.246	171	1250	SFW160-6/590	160	400	289	1000	2200	direct	manual	YTT-35	Z41H-1.6C	Φ200	
105	0.252	192	1250	SFW200-6/740	200	400	361	1000	2200	direct	manual	YTT-35	Z41H-1.6C	Φ200	
110	0.259	205	1250	SFW200-6/740	200	400	361	1000	2200	direct	manual	YTT-35	Z41H-1.6C	Φ200	
115	0.265	220	1250	SFW200-6/740	200	400	361	1000	2200	direct	manual	YTT-35	Z41H-1.6C	Φ200	
120	0.217	235	1250	SFW200-6/740	200	400	361	1000	2200	direct	manual	YTT-35	Z41H-1.6C	Φ200	
XJ02-W-40/1×9	40	0.172	53.3	632	SFW55-10/493	55	400	99.1	600	1200	direct	manual	YTT-35	Z41H-1.6C	Φ200
	50	0.192	74.4	750	SFW75-8/590	75	400	139	750	1800	direct	manual	YTT-35	Z41H-1.7C	Φ200
	60	0.21	97.6	750	SFW100-8/590	100	400	181	750	1500	direct	manual	YTT-35	Z41H-1.8C	Φ200
	70	0.226	12.3	750	SFW125-8/590	125	400	226	750	1500	direct	manual	YTT-35	Z41H-1.9C	Φ200
	80	0.242	150	1000	SFW160-6/590	160	400	289	1000	2000	direct	manual	YTT-35	Z41H-1.10C	Φ200
	90	0.257	181	949	SFW160-6/590	160	400	289	1000	2200	direct	manual	YTT-35	Z41H-1.11C	Φ200
	95	0.264	197	975	SFW160-6/590	160	400	289	1000	2200	direct	manual	YTT-35	Z41H-1.12C	Φ200
	100	0.271	212	1000	SFW200-6/740	200	400	361	1000	1800	direct	manual	YTT-35	Z41H-1.13C	Φ200
	105	0.277	229	1025	SFW200-6/740	200	400	361	1000	1800	direct	manual	YTT-35	Z41H-1.14C	Φ200
	110	0.284	246	1049	SFW200-6/740	200	400	361	1000	1800	direct	manual	YTT-35	Z41H-1.15C	Φ200
	115	0.29	261	1072	SFW250-6/740	250	400	451	1000	1800	direct	manual	YTT-35	Z41H-1.16C	Φ200
	120	0.296	277	1095	SFW250-6/740	250	400	451	1000	1800	direct	manual	YTT-35	Z41H-1.17C	Φ200
	125	0.301	293	#	SFW250-6/740	250	400	451	1000	1800	direct	manual	YTT-35	Z41H-1.18C	Φ200
	130	0.308	310	#	SFW250-6/740	250	400	451	1000	1800	direct	manual	YTT-35	Z41H-1.19C	Φ200
135	0.312	323	#	SFW320-6/850	320	400	577	1000	1800	direct	manual	YTT-35	Z41H-1.20C	Φ200	
140	0.318	335	#	SFW320-6/850	320	400	577	1000	1800	direct	manual	YTT-35	Z41H-1.21C	Φ200	

inclined jet turbine micro hydro genset technical data
(H-m, N-kw, Q-m³/S, N-R/min)

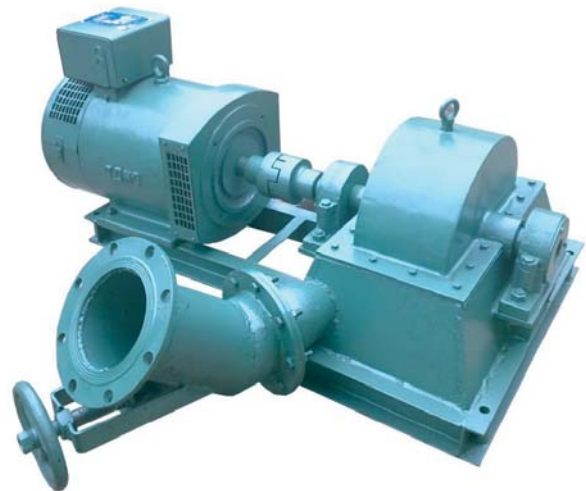
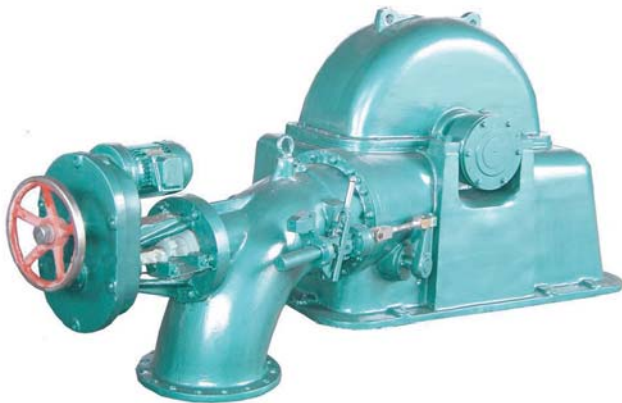
H	XJ13-L-10/3			XJ13-L-15/4.5			XJ02-L-10/3			XJ02-L-15/4			HL210-WG-20			HL240-LJ-14			ZD661-LJ-25		
	N	Q	n	N	Q	n	N	Q	n	N	Q	n	N	Q	n	N	Q	n	N	Q	n
5													5.5	0.119	826	2.1	0.053	1300	7.4	0.157	1500
6													6.1	0.129	890	2.7	0.058	1400			
7													8.3	0.138	950	3.4	0.062	1520			
8													9.9	0.147	1020	4.2	0.067	1630			
9																5	0.071	1720			
9.5													11.6	0.154	1075				13	0.177	1500
10	0.59	0.0075	1270				1.8	0.026	1300												
11										J7			15.3	0.169	1180				13	0.15	1500
12	0.65	0.0083	1410				1.8	0.022	1420				19.3	0.183	1275						
14	0.99	0.0089	1520				1.8	0.019	1530				23.6	0.195	1360						
16	1.21	0.0096	1630	3.2	0.0272	1000	1.8	0.016	1640				28.2	0.207	1450						
18	0.14	0.0101	1720	3.8	0.0288	1000	1.8	0.015	1740				32.9	0.218	1500						
20	0.19	0.118	1790	4.5	0.0304	1000	1.8	0.013	1830				37.8	0.228	1580						
22				5.15	0.0319	1000				3.7	0.022	1500									
24				5.9	0.0333	1500				4.2	0.023	1500									
26				6.6	0.0346	1500				4.8	0.024	1500									
28				7.4	0.036	1500				5.4	0.025	1500									
30				8.2	0.0372	1500				6	0.026	1500									
32				9	0.0384	1500				6.6	0.027	1500									
34				10	0.0396	1500				7.16	0.0275	1500									

XJ13 inclined jet turbine micro hydro genset performance table
(H-m, N-kw, Q-m³/S, N-R/min)

H	XJ13-W-20/1×6			XJ13-W-25/1×7			XJ13-W-32/1×7			XJ13-W-32/1×9		
	N	Q	n	N	Q	n	N	Q	n	N	Q	n
20	7.8	0.054	900									
25	10.7	0.06	995									
30	14.3	0.066	1094									
35	18	0.072	1185	21.3	0.089	876				36.5	0.145	684
40	22.1	0.076	1264	26.8	0.095	936				45.4	0.155	731
45	26.2	0.081	1340	32.5	0.101	993				54.7	0.165	776
50	30.9	0.085	1414	38.1	0.106	1047				64.1	0.174	818
55	35.5	0.087	1490	42.7	0.111	1098				73.5	0.182	857
60	40.6	0.0934	1550	49.6	0.116	1146	57.6	0.127	896	82.9	0.19	896
65	45.8	0.0966	1610	55.6	0.121	1193	65.9	0.132	932	93.3	0.198	932
70	51.1	0.101	1670				73.8	0.137	967	105.5	0.206	967
75							82.6	0.142	1001	117.5	0.213	1001
80							91.1	0.147	1034	129.5	0.22	1034
85							99.1	0.151	1066	142.3	0.227	1066
90							107.2	0.155	1097	154.3	0.233	1097
95							116.2	0.16	1127	167.3	0.24	1127
100							124	0.164	1156	179.8	0.246	1156



Impluse type turbine



CJ series impulse turbine micro hydro genset technical data															
Turbine data					Generator data						Governor		Inlet valve		
Item	Head(M)	At design head		rated speed r/min	Item	Power kW	voltage V	current A	speed r/min	run away r/min	coupling	Manual	Auto	code	diameter
		flow (m³/s)	Output kW												
CJ237-W-45/1×4.5	110	0.071	62.9	932	SFW55-6/493	55	400	99.2	1000	1800	direct	manual	YTT-35	Z41H-1.6C	Ø200
	115	0.073	67.6	953	SFW55-6/493	55	400	99.2	1000	1800	direct	manual	YTT-35	Z41H-1.6C	Ø200
	120	0.074	72.3	974	SFW75-6/493	75	400	136	1000	1800	direct	manual	YTT-35	Z41H-1.6C	Ø200
	125	0.076	76.9	994	SFW75-6/493	75	400	136	1000	1800	direct	manual	YTT-35	Z41H-1.6C	Ø200
	130	0.077	81.7	1013	SFW75-6/493	75	400	136	1000	1800	direct	manual	YTT-35	Z41H-1.6C	Ø200
	135	0.079	86.3	1033	SFW75-6/493	75	400	136	1000	1800	direct	manual	YTT-35	Z41H-1.6C	Ø200
	140	0.08	90.9	1052	SFW75-6/493	75	400	136	1000	1800	direct	manual	YTT-35	Z41H-1.6C	Ø200
	145	0.081	95.3	1070	SFW100-6/590	100		181	1000	2200	direct	manual	YTT-35	Z41H-1.6C	Ø200
	150	0.083	100.2	1089	SFW100-6/590	100		181	1000	2200	direct	manual	YTT-35	Z41H-1.6C	Ø200
CJ237-W-45/1×4.8	60	0.06	28	637	SFW26-10/368	26	400	46.9	600	1800	direct	manual	YTT-35	Z41H-2.5	Ø200
	70	0.065	35.9	688	SFW40-6/493	40	400	72.2	750	1500	direct	manual	YTT-35	Z41H-2.5	Ø200
	80	0.07	43.9	735	SFW40-6/493	40	400	72.2	750	1500	direct	manual	YTT-35	Z41H-2.5	Ø200
	90	0.074	51.9	780	SFW55-8/493	55	400	99.2	750	1500	direct	manual	YTT-35	Z41H-2.5	Ø200
	100	0.078	59.7	822	SFW55-8/493	55	400	99.2	1000	1500	direct	manual	YTT-35	Z41H-2.5	Ø200
	110	0.082	69.1	862	SFW75-6/493	75	400	136	1000	1800	direct	manual	YTT-35	Z41H-2.5	Ø200
	120	0.085	80.2	901	SFW75-6/493	75	400	136	1000	2200	direct	manual	YTT-35	Z41H-2.5	Ø200
	130	0.089	90.8	937	SFW75-6/493	75	400	136	1000	2200	direct	manual	YTT-35	Z41H-2.5	Ø200
	140	0.092	101.6	937	SFW125-6/590	100	400	181	1000	2200	direct	manual	YTT-35	Z41H-2.5	Ø200
	150	0.095	112	1007	SFW125-6/590	100	400	181	1000	2200	direct	manual	YTT-35	Z41H-2.5	Ø200
	160	0.098	122.5	1040	SFW125-6/590	100	400	181	1000	2200	direct	manual	YTT-35	Z41H-2.5	Ø200
	170	0.01	134	1073	SFW125-6/590	125		226	1000	2200	direct	manual	YTT-35	Z41H-2.5	Ø200
CJ237-W-55/1×5.5	100	0.101	82.8	727	SFW75-8/590	75	400	136	750	1650	direct	manual	YTT-35	Z41H-4	Ø250
	105	0.104	89.3	745	SFW75-8/590	75	400	136	750	1650	direct	manual	YTT-35	Z41H-5	Ø250
	110	0.106	95.7	463	SFW100-8/590	100	400	181	750	1650	direct	manual	YTT-35	Z41H-6	Ø250
	115	0.108	102.1	780	SFW100-8/590	100	400	181	750	1650	direct	manual	YTT-35	Z41H-7	Ø250
	120	0.111	108.6	797	SFW100-8/590	100	400	181	750	1650	direct	manual	YTT-35	Z41H-8	Ø250
	125	0.113	115	813	SFW100-8/590	100	400	181	750	1650	direct	manual	YTT-35	Z41H-9	Ø250
	130	0.115	121.4	829	SFW100-8/590	100	400	181	750	1650	direct	manual	YTT-35	Z41H-10	Ø250
	135	0.117	128	845	SFW125-8/590	125	400	226	750	1650	direct	manual	YTT-35	Z41H-11	Ø250
	140	0.12	134.4	860	SFW125-8/590	125	400	226	750	1650	direct	manual	YTT-35	Z41H-12	Ø250
145	0.122	140.9	876	SFW125-8/590	125	400	226	750	1650	direct	manual	YTT-35	Z41H-13	Ø250	

Guangzhou Electway Technology Co.,Ltd

ADD: Room C446,
Tang Feng
Commercial building
NO.22 GuanYu Road,
TangDong,
TianHe District,
Guangzhou,China

URL: <http://www.electway.net>
E-mail: info@electway.net

Tel: +8620-89560230
Fax: +8620-62824921